

COMMERCIAL CEILING/WALL MOUNT DEHUMIDIFIER

RYZDZ-26A

26 litres per day

RYDZ-26A is suitable for a wide range of applications including hotels, office buildings, hospitals, commercial, laboratories, indoor swimming pools, gymnasiums and domestic residences. When you choose this product, you can buy and install with confidence.

This cutting edge technology is used to ensure maximum efficiency of air distribution, air balance and dehumidifying capacity.

Features:

- Ducted or ceiling mounted
- G4 efficiency
- Rotary type compressor
- Delayed start up for protection
- Waterproof ranking IPX04
- The design is in line with the requirements of IEC protection Class IP44
- Electrical design in accordance with international standards EN60204



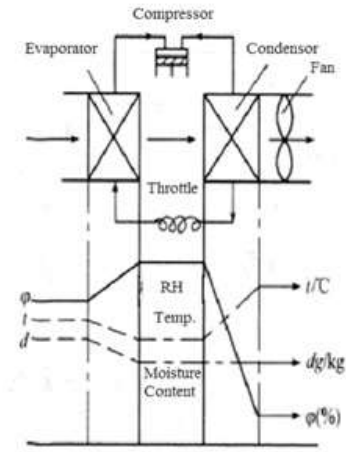
Price:

Warranty: 2 years

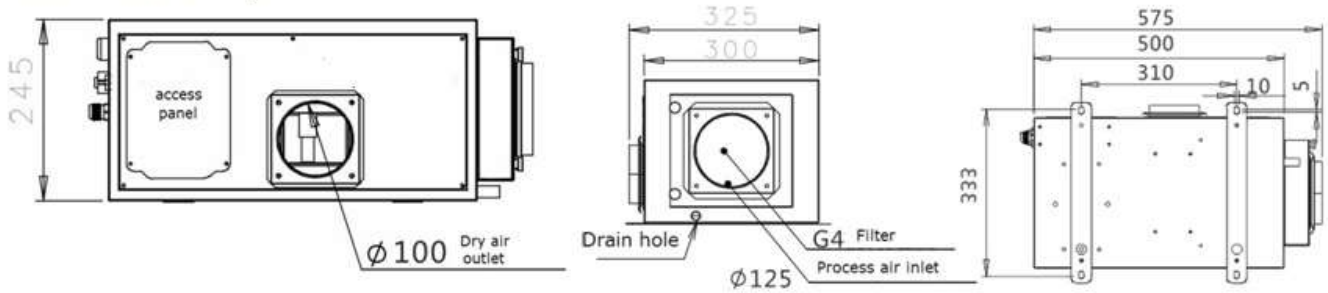
Specifications:

Dehumidification capacity (@ 30°C, 80%)	1.08 kg/hr : 26 ltr p/day
Process air flow	270 - 320m ³ /hr
Static pressure at disposal	50 PA
Operating temperature range	5°C up to 35°C
Power	0.38 KW
Current	2 A
Voltage	220 V
Noise	40 dB (approx.)
Weight	30 kg (approx.)
Diameter of air inlet	125mm
Diameter of air outlet	100mm
Coverage area	60m
Filter efficiency	G4
Certification	CE/RoHS
Dimensions	575 x 325 x 245mm

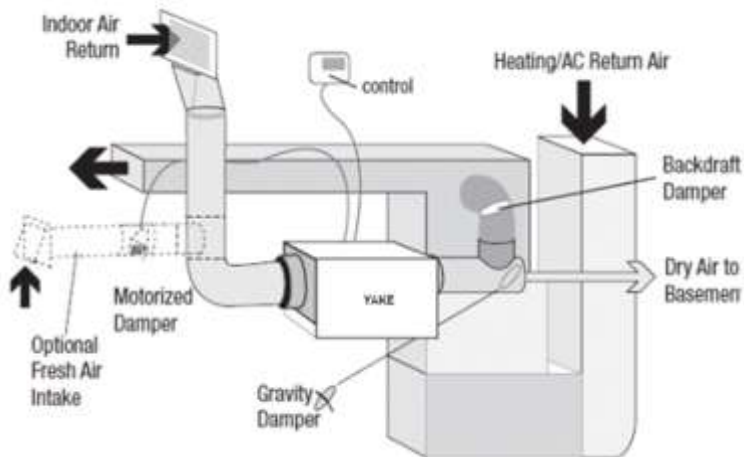
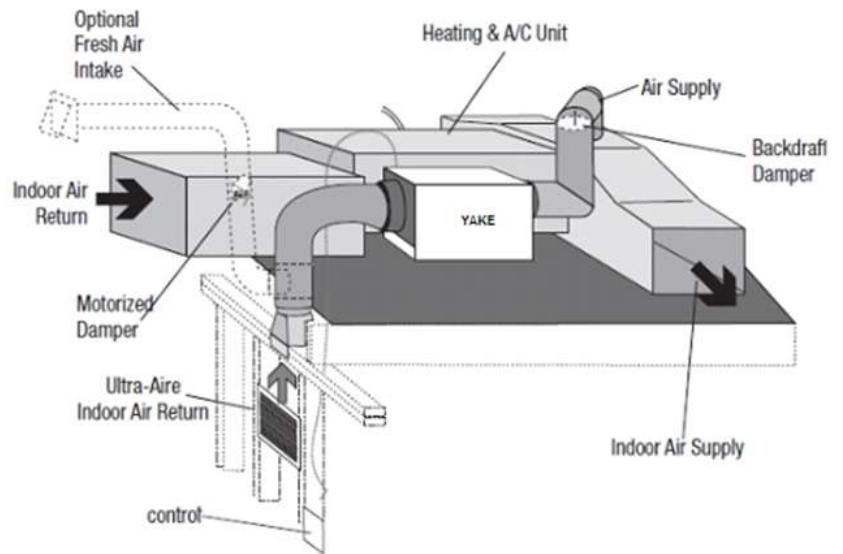
Air flow:



Structure and Design:



Roof space installation >



< Subfloor installation