

# COMMERCIAL CEILING/WALL MOUNT DEHUMIDIFIER

## RYZDZ-36A

**36 litres per day**

RYDZ-36A is suitable for a wide range of applications including hotels, office buildings, hospitals, commercial, laboratories, indoor swimming pools, gymnasiums and domestic residences. When you choose this product, you can buy and install with confidence.

This cutting edge technology is used to ensure maximum efficiency of air distribution, air balance and dehumidifying capacity.

### **Features:**

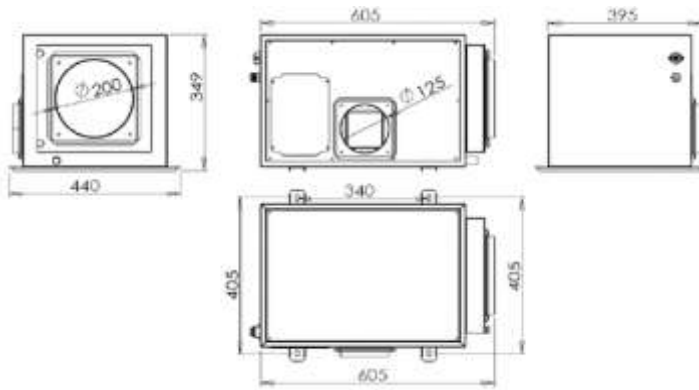
- Ducted or ceiling mounted
- G4 efficiency
- Rotary type compressor
- Delayed start up for protection
- Waterproof ranking IPX04
- The design is in line with the requirements of IEC protection Class IP44
- Electrical design in accordance with international standards EN60204



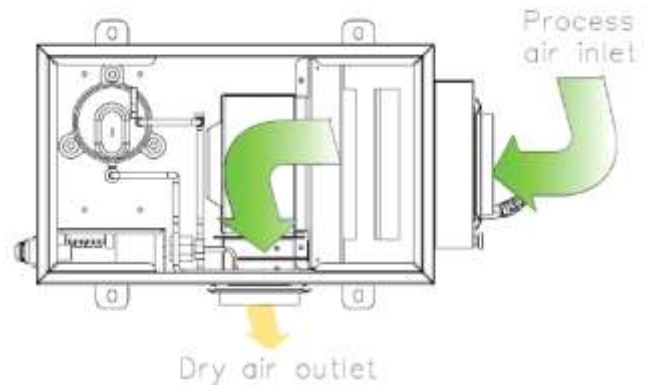
### **Specifications:**

Dehumidification capacity (@ 30°C, 80%)	1.50 kg/hr : 36 ltr p/day
Process air flow	780m³/hr
Static pressure at disposal	70 PA
Operating temperature range	5°C up to 38°C
Power	0.7 KW
Current	3A
Voltage	220 V
Noise	38 dB (approx.)
Weight	40 kg (approx.)
Diameter of air inlet	200mm
Diameter of air outlet	125 mm
Coverage area	60 m
Filter efficiency	G4
Certification	CE/RoHS
Dimensions	620 x 452 x 352mm

**Structure and Design:**



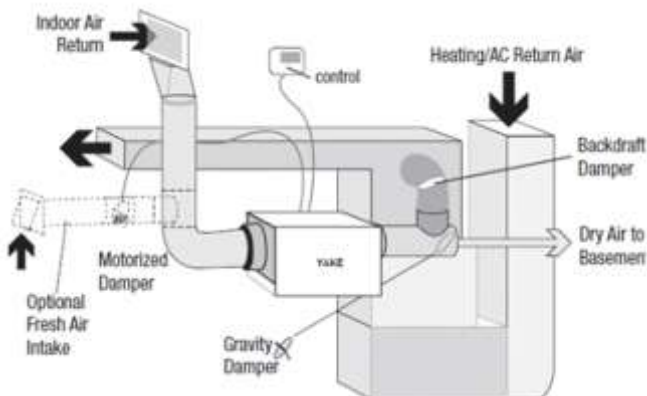
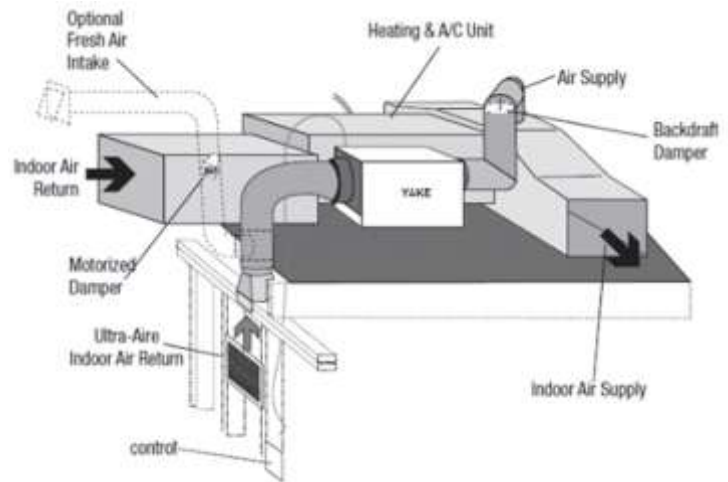
**Air flow:**



**Water removal rates:**

32°C, 90%	26°C, 80%	26°C, 60%	21°C, 80%	21°C, 60%	15°C, 80%	15°C, 60%	10°C, 80%	10°C, 60%
36 litres	25 litres	20 litres	18 litres	16 litres	10 litres	8 litres	6 litres	4 litres

**Roof space installation >**



**< Subfloor installation**