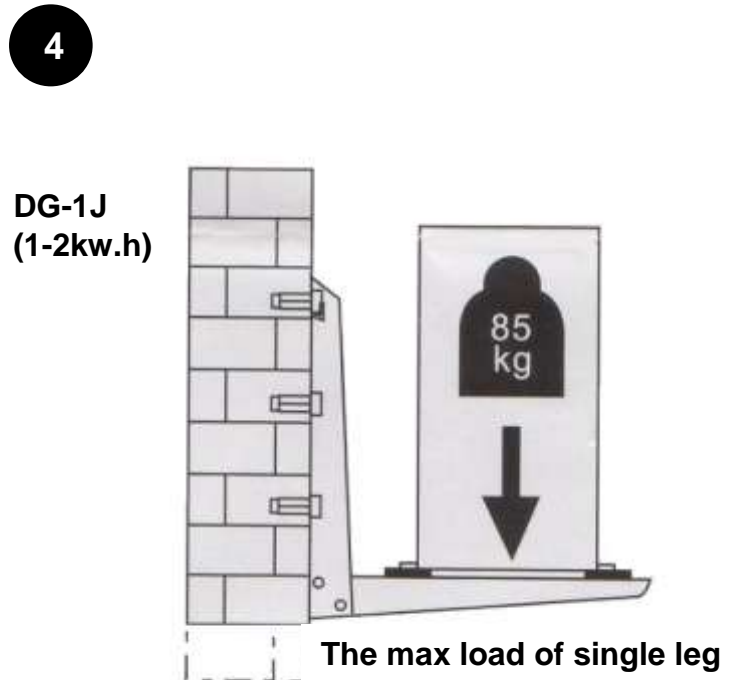
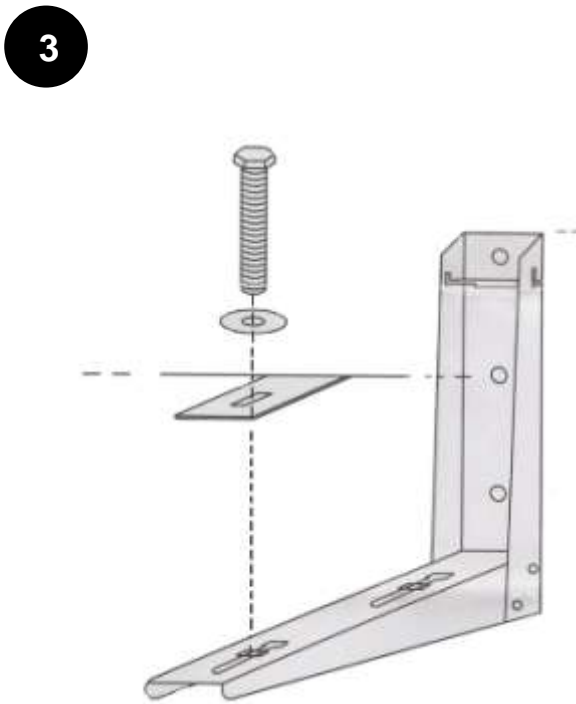
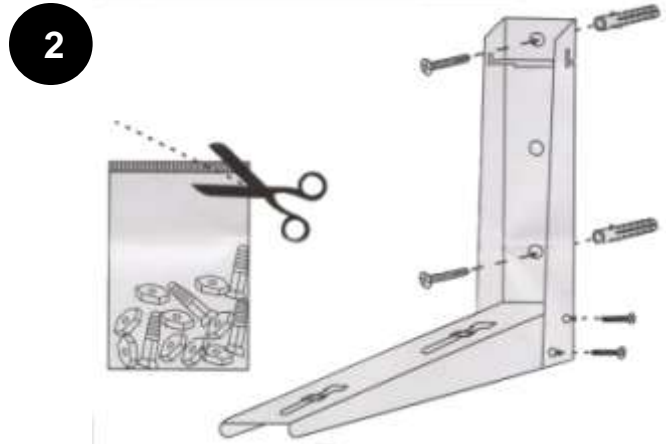


Bracket Assembly



Specifications



Dimension		A	B	C	D	E	A+B+C+E	MAX
DG-1J	mm	92	105	166	74	15	452	85