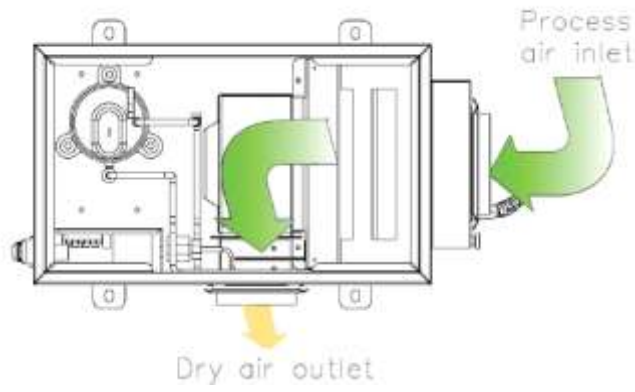




Model	RYZ-168A
Capacity (@30°C,80%)	160L/D
Airflow rate	1800m ³ /h
Power rating	1.8KW
Voltage	380V/50Hz
Current	6A
Wind pressure	70Pa
Operation distance	80m
Operating range	5 – 38 ^{°C}
Filters	G4
Compressor	Rotary
Protection	Delayed Start
Noise level	60Db
Air inlet Diameter	250mm
Air outlet Diameter	200mm
Body size	1160*895*730mm
Weight	130 kg

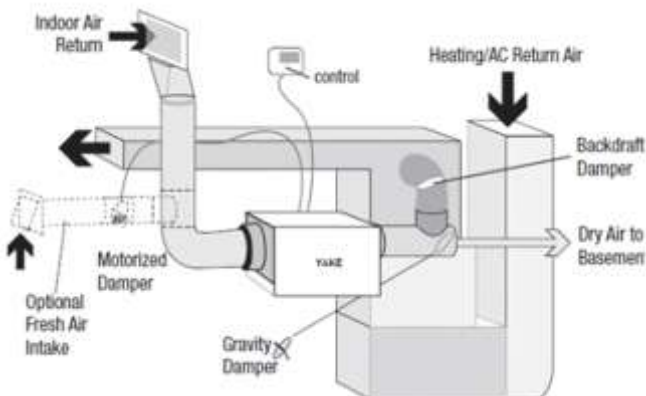
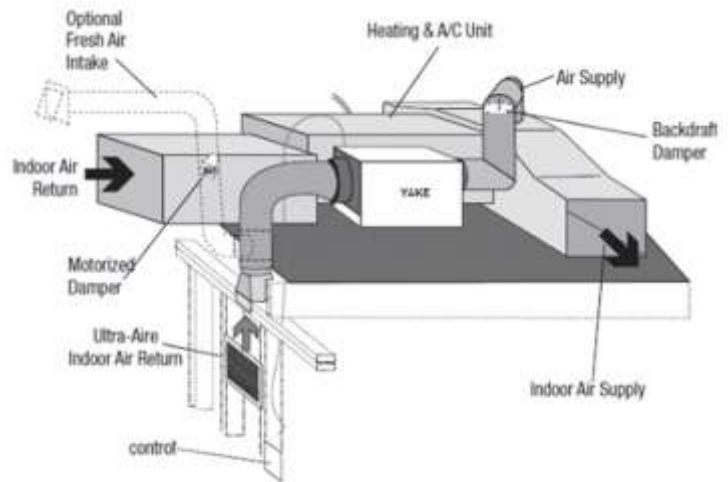
Air flow:



Water removal rates:

32°C, 90%	26°C, 80%	26°C, 60%	21°C, 80%	21°C, 60%	15°C, 80%	15°C, 60%	10°C, 80%	10°C, 60%
168 litres	litres	litres	litres	litres	litres	litres	litres	litres

Roof space installation >



< Subfloor installation